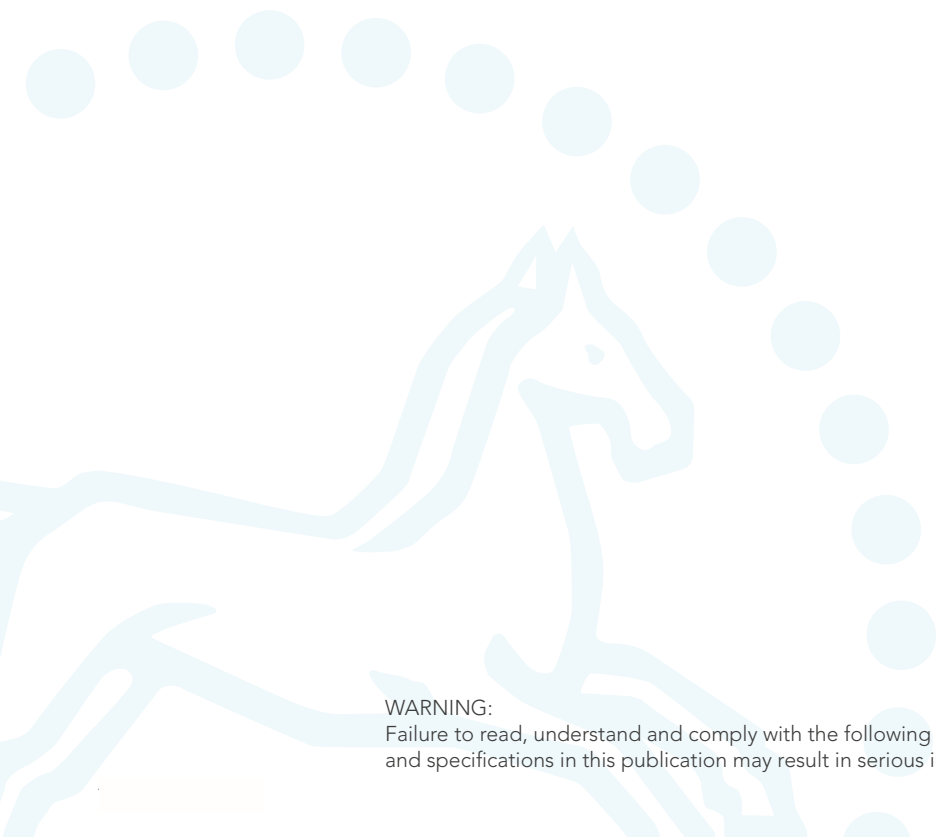


## Rotating Lifting Points

Lifting Points Information	3:2
Rotating Eye Lifting Point - RELP	3:4
Rotating Lifting Point - RLP	3:5
Decentered Lifting Point - DLP	3:6
Ball-bearing Lifting Point - BLP	3:7
Eye Rotating Lifting Point - ERLP	3:8
Master Link - D	3:8
Eye Lifting Point - ELP	3:8
Weldable Lifting Point - WLP	3:8
Screw-on Lifting Point - SLP	3:8



**WARNING:**  
Failure to read, understand and comply with the following instructions, working load limits and specifications in this publication may result in serious injury or damage to property.

# The New Lifting Point Family

In June 2015 we introduced three new lifting points as well as a significantly improved existing lifting point. We now have a range that will fit most lifting and lashing applications and can offer a full system, from masterlink to lifting point.

Choosing the right lifting point for your operation can be tricky, you know as well as we do that most lifting points can be used for a lot of purposes. But in order to give some guidance, and what we consider best practice, we have created a cross-chart (as seen on next page) to be used as indication to which lifting point that might be best suited for your specific purpose.

## Rotating Eye Lifting Point - RELP

The RELP is a compact and robust lifting point, ideal for top-mounting and when it is important to have quick and easy on-hooking. The bolt has a hexagon socket which makes it easy to mount and dismount but an even better feature is the marking. On the bolt itself information such as the working load limit, mounting torque and manufacturing ID is stamped so it's always available for the operator, should the conditions for the operation change.

The RELP will automatically adjust to the loading direction which decreases the risk to load it incorrectly and endangering the lifting operation. For sensitive load surfaces the RELP is ideal, as the connecting sling hook will be positioned mainly parallel to the load surface, thus completely avoiding the hook causing damage on impact on the load.



## Rotating Lifting Point - RLP

The RLP has an easily dismountable D-ring to enable assembly of roundsling, master link or hook directly onto the lifting point.

RLP has a hexagon screw to make it easy to disassemble/assemble with a wrench. The bolt is also clearly marked with information such as working load limit, mounting torque and manufacturer ID so it's always available to the operator. The RLP rotates 360° and pivots 180°, making it strong, flexible and reliable.



## De-centered Lifting Point - DLP

The design of the DLP allows the link to be folded over the housing when idle, allowing the lifting point to be almost completely stowed away when not in use.

The closed, oblong link is also equipped with a "stay-up"-function for easy on-hooking, (sizes up to M24) especially when there is limited space. This saves both the load from damage due to impacts from the hook, as well as making rigging fast and easy. The DLP is ideal in narrow spaces, such as corners or edge position, as the housing has a compact design.



## Ball-bearing Lifting Point - BLP

The BLP is a very versatile lifting point and can safely be used for most applications. The ball-bearings in the BLP allow the load to be rotated during the lift, which is especially good when maintenance is needed on heavy tools and other types of equipment.

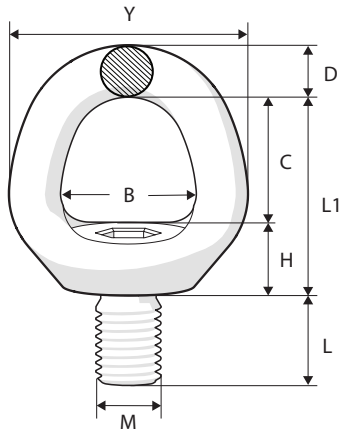
If the load surface is sensitive to impacts or scratches, the BLP is a good choice as it builds out from the load which makes it less likely that the lifting equipment will come in contact with it causing damage. The housing of the BLP has a hexagon shape for easy mounting and dismounting.





	RELP	RLP	DLP	BLP
Tight space	✓		✓	✓
Limited height (effective length)	✓	✓		
Vertical lift	✓	✓		✓
Angular lift		✓	✓	✓
Vertical rotation under load				✓
Tilting under load		✓	✓	✓
Sensitive load surface				✓
Single part lift	✓	✓		✓
Multiple part lift		✓	✓	✓
Integrated combination (hook or link)		✓		

*This chart is intended to give guidance in choosing the right lifting point for your operation and is not rules for usage. For more advice contact your closest Gunnebo Industries dealer.*



## Rotating Eye Lifting Point RELP

Art. no.	Code	Dimensions in mm								Weight kgs
		B	C	D	H	L	L1	M	Y	
Z102408	RELPM8 x 1.25	28	28	11	14	15	42	8	50	0.2
Z102410	RELPM10 x 1.5	28	28	11	14	15	42	10	50	0.2
Z102412	RELPM12 x 1.75	32	33	13	13	20	47	12	58	0.3
Z102416	RELPM16 x 2	39	41	15	16	24	57	16	70	0.5
Z102420	RELPM20 x 2.5	42	43	16	18	30	60	20	78	0.7
Z102424	RELPM24 x 3	50	51	19	20	36	71	24	88	1.1
Z102430	RELPM30 x 3.5	60	62	26	28	45	90	30	112	2.4
Z102436	RELPM36 x 4	72	72	32	32	54	104	36	136	4.1
Z102442	RELPM42 x 4.5	82	82	38	37	63	119	42	158	6.7
Z102448	RELPM48 x 5	94	96	43	39	72	135	48	180	9.9



## RELPM with UNC thread

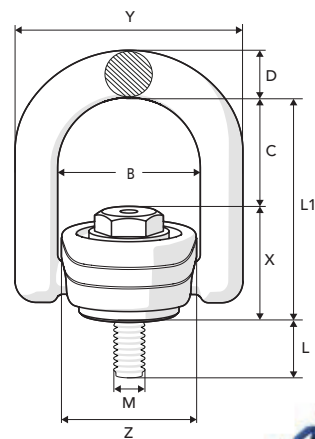
Art. no.	Code	Dimensions in m								M inch	Weight kgs
		B	C	D	H	L	L1	Y			
Z102508	RELPM 5/16"-18 UNC	28	28	11	14	15	42	50	5/16"	0.2	
Z102510	RELPM 3/8"-16 UNC	28	28	11	14	15	42	50	3/8"	0.2	
Z102512	RELPM 1/2"-13 UNC	32	33	13	13	20	47	58	1/2"	0.3	
Z102516	RELPM 5/8"-11 UNC	39	41	15	16	24	57	70	5/8"	0.5	
Z102520	RELPM 3/4"-10 UNC	42	43	16	18	30	60	78	3/4"	0.7	
Z102521	RELPM 7/8"-9 UNC	42	43	16	18	30	60	78	7/8"	0.7	
Z102524	RELPM 1"-8 UNC	50	51	19	20	36	71	88	1"	1.1	
Z102530	RELPM 1 1/4"-7 UNC	60	62	26	28	45	90	112	1 1/4"	2.4	
Z102536	RELPM 1 1/2"-6 UNC	72	72	32	32	54	104	136	1 1/2"	4.1	
Z102542	RELPM 1 3/4"-5 UNC	82	82	38	37	63	119	158	1 3/4"	6.8	
Z102548	RELPM 2"-4.5 UNC	94	96	43	39	72	135	180	2"	10.0	

## Working Load Limits\* - RELPM

Symmetric Load (tonnes)	1 leg		2 legs		2 symmetric		3 & 4 symmetric		Tightening torque	Allen key
	No. of legs	Angle $\beta$	1	2	0-45°	45-60°	0-45°	45-60°		
RELPM8 x 1.25	1	0°	0.7	1.4	0.4	0.3	0.6	0.4	10 Nm	8 mm
RELPM 5/16"-18 UNC	1	90°	0.3	1.4	0.4	0.3	0.6	0.4	7 Ft.Lbs	5/16"
RELPM10 x 1.5	2	0°	1.2	2.4	0.7	0.5	1.0	0.7	15 Nm	8 mm
RELPM 3/8"-16 UNC	2	90°	0.5	2.4	0.7	0.5	1.0	0.7	11 Ft.Lbs	5/16"
RELPM12 x 1.75	2	0°	2.0	4.0	1.1	0.8	1.6	1.2	27 Nm	8 mm
RELPM 1/2"-13 UNC	2	90°	0.8	4.0	1.1	0.8	1.6	1.2	20 Ft.Lbs	5/16"
RELPM16 x 2	2	0°	3.5	7.0	2.1	1.5	3.1	2.2	60 Nm	8 mm
RELPM 5/8"-11 UNC	2	90°	1.5	7.0	2.1	1.5	3.1	2.2	44 Ft.Lbs	5/16"
RELPM20 x 2.5	2	0°	6.1	12.2	3.3	2.4	5.0	3.6	90 Nm	8 mm
RELPM 3/4"-10 UNC	2	90°	2.3	10.0	3.1	2.3	4.8	3.4	66 Ft.Lbs	5/16"
RELPM 7/8"-9 UNC	2	0°	6.1	12.2	3.3	2.4	5.0	3.6	66 Ft.Lbs	5/16"
RELPM24 x 3	2	0°	8.1	16.2	4.6	3.3	6.9	4.9	135 Nm	19 mm
RELPM 1"-8 UNC	2	90°	3.3	16.2	4.6	3.3	6.9	4.9	100 Ft.Lbs	3/4"
RELPM30 x 3.5	2	0°	12.1	24.2	6.4	4.6	9.6	6.9	270 Nm	19 mm
RELPM 1 1/4"-7 UNC	2	90°	4.6	24.2	6.4	4.6	9.6	6.9	200 Ft.Lbs	3/4"
RELPM36 x 4	2	0°	16.1	32.2	9.9	7.1	14.9	10.6	320 Nm	19 mm
RELPM 1 1/2"-6 UNC	2	90°	7.1	32.2	9.9	7.1	14.9	10.6	236 Ft.Lbs	3/4"
RELPM42 x 4.5	2	0°	24	48	12.7	9.1	19.1	13.6	600 Nm	19 mm
RELPM 1 3/4"-5 UNC	2	90°	9.1	48	12.7	9.1	19.1	13.6	440 Ft.Lbs	3/4"
RELPM48 x 5	2	0°	32	64	16.9	12.1	25.4	18.1	800 Nm	19 mm
RELPM 2"-4.5 UNC	2	90°	12.1	64	16.9	12.1	25.4	18.1	590 Ft.Lbs	3/4"

## Rotating Lifting Point RLP

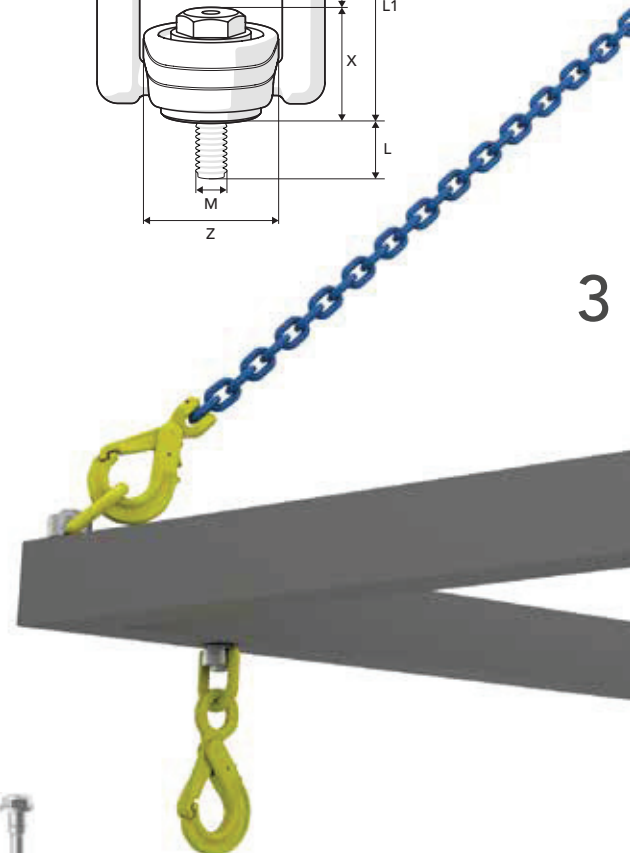
Art. no.	Code	Dimensions in mm									Weight kgs
		B	C	D	L	L1	M	X	Y	Z	
Z101708	RLP-M8 x 1.25	42	35	12	16	62	8	27	64	Ø40	0.3
Z101710	RLP -M10 x 1.5	42	35	12	16	62	10	27	64	Ø40	0.3
Z101712	RLP -M12 x 1.75	57	46	19	25	88	12	42	91	Ø54	1.0
Z101716	RLP-M16 x 2	57	46	19	25	88	16	42	91	Ø54	1.0
Z101720	RLP-M20 x 2.5	83	55	28	36	110	20	55	133	Ø80	2.9
Z101724	RLP-M24 x 3	83	55	28	36	110	24	55	133	Ø80	2.9
Z101730	RLP-M30 x 3.5	114	70	34	58	148	30	78	182	Ø111	7.1
Z101736	RLP-M36 x 4	114	70	34	58	148	36	78	182	Ø111	7.3
Z101742	RLP-M42 x 4.5	149	91	40.4	81	190	42	99	229	Ø142	14.3
Z101748	RLP-M48 x 5	149	91	40.4	81	190	48	99	229	Ø142	14.5



## RLP with UNC thread

Art. no.	Code	Dimensions in mm									M inch	Weight kgs
		B	C	D	L	L1	X	Y	Z			
Z101808	RLP-5/16"-18 UNC	42	35	12	16	62	27	64	Ø40	5/16"	0.3	
Z101810	RLP-3/8"-16 UNC	42	35	12	16	62	27	64	Ø40	3/8"	0.3	
Z101812	RLP-1/2"-13 UNC	57	46	19	25	88	42	91	Ø54	1/2"	1.0	
Z101816	RLP-5/8"-11 UNC	57	46	19	25	88	42	91	Ø54	5/8"	1.0	
Z101820	RLP-3/4"-10 UNC	83	55	28	36	110	55	133	Ø80	3/4"	2.9	
Z101821	RLP-7/8"-9 UNC	83	55	28	36	110	55	133	Ø80	7/8"	2.9	
Z101824	RLP 1"-8 UNC	83	55	28	36	110	55	133	Ø80	1"	2.9	
Z101830	RLP 1 1/4"-7 UNC	114	70	34	58	148	78	182	Ø111	1 1/4"	7.1	
Z101836	RLP 1 1/2"-6 UNC	114	70	34	58	148	78	182	Ø111	1 1/2"	7.3	
Z101842	RLP 1 3/4"-5 UNC	149	91	40.4	81	190	99	229	Ø142	1 3/4"	14.4	
Z101848	RLP 2" -4.5 UNC	149	91	40.4	81	190	99	229	Ø142	2"	14.7	

Disassembly of the RLP is made easy by just folding the D-ring forward and push down.



## Extra Long Bolt for RLP \*\*

Art. no.	Bolt	Protrusion L (mm)	Weight (kgs)
Z1017081L	M8 x 1.25	101	0.06
Z1017101L	M10 x 1.5	101	0.08
Z1017121L	M12 x 1.75	80	0.14
Z1017161L	M16 x 2	80	0.20
Z1017201L	M20 x 2.5	86	0.46
Z1017241L	M24 x 3	86	0.50
Z1017301L	M30 x 3.5	300	2.40
Z1017361L	M36 x 4	300	3.00
Z1017421L	M42 x 4.5	301	5.00
Z1017481L	M48 x 5	301	6.00
Z1018081L	UNC 5/16"-18	101	0.06
Z1018101L	UNC 3/8"-16	101	0.07
Z1018121L	UNC 1/2"-13	80	0.16
Z1018161L	UNC 5/8"-11	80	0.20
Z1018201L	UNC 3/4"-10	86	0.44
Z1018211L	UNC 7/8"-9	86	0.50
Z1018241L	UNC 1"-8	86	0.60
Z1018301L	UNC 1 1/4"-7	300	2.50
Z1018361L	UNC 1 1/2"-6	300	3.30
Z1018421L	UNC 1 3/4"-5	301	5.40
Z1018481L	UNC 2"-4.5	301	6.40

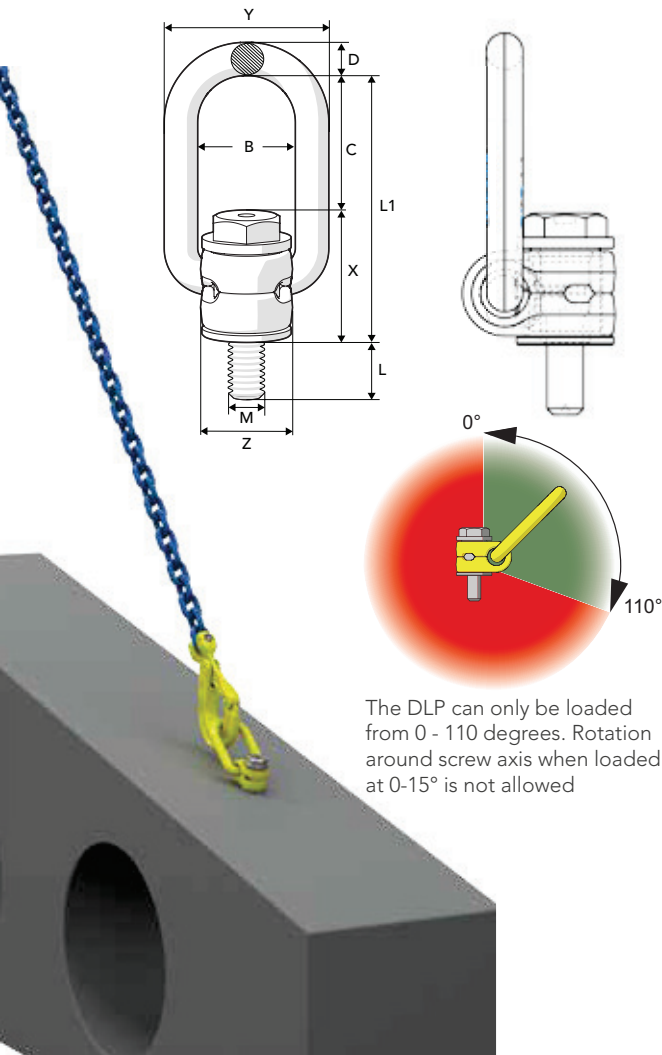
\*\* When using extra long bolt, make sure to use nut/washer of min. strength rating 10.9, ISO 898-1.

## Working Load Limits\* - RLP

Symmetric Load (tonnes)	No. of legs								Tightening torque	Spanner size
	1	1	2	2	2 symmetric	3 & 4 symmetric	0-45°	45-60°		
Angle β	0°	90°	0°	90°	0-45°	45-60°	0-45°	45-60°		
RLP - M8 x 1.25	0.8	0.4	1.6	0.8	0.5	0.4	0.8	0.6	10 Nm	13 mm
RLP 5/16"-18 UNC	0.8	0.4	1.6	0.8	0.5	0.4	0.8	0.6	7 Ft.Lbs	1/2"
RLP - M10 x 1.5	1.2	0.7	2.4	1.4	0.9	0.7	1.4	1.0	15 Nm	13 mm
RLP 3/8"-16 UNC	1.2	0.65	2.4	1.3	0.9	0.6	1.3	0.9	11 Ft.Lbs	1/2"
RLP - M12 x 1.75	2.0	1.2	4.0	2.4	1.6	1.2	2.5	1.8	27 Nm	24 mm
RLP 1/2"-13 UNC	2.0	1.2	4.0	2.4	1.6	1.2	2.5	1.8	20 Ft.Lbs	15/16"
RLP - M16 x 2	3.2	2.0	6.4	4.0	2.8	2.0	4.2	3.0	60 Nm	24 mm
RLP 5/8"-11 UNC	3.2	2.0	6.4	4.0	2.8	2.0	4.2	3.0	44 Ft.Lbs	15/16"
RLP - M20 x 2.5	5.6	2.8	11.2	5.6	3.9	2.8	5.8	4.2	90 Nm	32 mm
RLP 3/4"-10 UNC	5.0	2.5	10.0	5.0	3.5	2.5	5.2	3.7	66 Ft.Lbs	1 5/16"
RLP 7/8"-9 UNC	5.6	2.8	11.2	5.6	3.9	2.8	5.8	4.2	66 Ft.Lbs	1 5/16"
RLP - M24 x 3	9.2	4.6	18.4	9.2	6.4	4.6	9.6	6.9	135 Nm	32 mm
RLP 1"-8 UNC	9.2	4.6	18.4	9.2	6.4	4.6	9.6	6.9	100 Ft.Lbs	1 5/16"
RLP - M30 x 3.5	12.0	6.0	24.0	12.0	8.4	6.0	12.6	9.0	270 Nm	55 mm
RLP 1 1/4"-7 UNC	12.0	6.0	24.0	12.0	8.4	6.0	12.6	9.0	200 Ft.Lbs	2 1/4"
RLP - M36 x 4	14.0	8.0	28.0	16.0	11.2	8.0	16.8	12.0	320 Nm	55 mm
RLP 1 1/2"-6 UNC	14.0	8.0	28.0	16.0	11.2	8.0	16.8	12.0	236 Ft.Lbs	2 1/4"
RLP - M42 x 4.5	16.0	14.0	32.0	28.0	19.6	14.0	29.4	21.0	600 Nm	75 mm
RLP 1 3/4"-5 UNC	16.0	14.0	32.0	28.0	19.6	14.0	29.4	21.0	440 Ft.Lbs	3"
RLP - M48 x 5	20.0	16.0	40.0	32.0	22.4	16.0	33.6	24.0	800 Nm	75 mm
RLP 2" -4.5 UNC	20.0	16.0	40.0	32.0	22.4	16.0	33.6	24.0	590 Ft.Lbs	3"

\*Safety factor 4:1

## De-centered Lifting Point DLP



The DLP can only be loaded from 0 - 110 degrees. Rotation around screw axis when loaded at 0-15° is not allowed

Art. no.	Code	Dimensions in mm									Weight kgs
		B	C	D	L	L1	M	X	Y	Z	
Z102208	DLP-M8 x 1.25	35	48	10	13	78	8	30	55	26	0.3
Z102210	DLP-M10 x 1.5	35	48	10	13	78	10	30	55	26	0.3
Z102212	DLP-M12 x 1.75	35	48	12	23	91	12	44	59	32	0.5
Z102216	DLP-M16 x 2	35	48	12	23	91	16	44	59	32	0.5
Z102220	DLP-M20 x 2.5	54	88	18	34	145	20	58	90	48	1.6
Z102224	DLP-M24 x 3	54	88	18	34	145	24	58	90	48	1.7
Z102230	DLP-M30 x 3.5	82	94	26	53	182	30	88	122	75	5.0
Z102236	DLP-M36 x 4	82	94	26	53	182	36	88	122	75	5.2
Z102242	DLP-M42 x 4.5	100	103	36	73	216	42	113	156	110	11.6
Z102248	DLP-M48 x 5	100	103	36	73	216	48	113	156	110	11.9

## DLP with UNC thread

Art. no.	Code	Dimensions in mm									M inch	Weight kgs
		B	C	D	L	L1	X	Y	Z			
Z102308	DLP-5/16"-18 UNC	35	48	10	13	78	30	55	26	5/16"	0.3	
Z102310	DLP-3/8"-16 UNC	35	48	10	13	78	30	55	26	3/8"	0.3	
Z102312	DLP-1/2"-13 UNC	35	48	12	23	91	44	59	32	1/2"	0.5	
Z102316	DLP-5/8"-11 UNC	35	48	12	23	91	44	59	32	5/8"	0.5	
Z102320	DLP-3/4"-10 UNC	54	88	18	34	145	58	90	48	3/4"	1.6	
Z102321	DLP-7/8"-9 UNC	54	88	18	34	145	58	90	48	7/8"	1.6	
Z102324	DLP-1"-8 UNC	54	88	18	34	145	58	90	48	1"	1.7	
Z102330	DLP-1 1/4"-7 UNC	82	94	26	53	182	88	122	75	1 1/4"	5.5	
Z102336	DLP-1 1/2"-6 UNC	82	94	26	53	182	88	122	75	1 1/2"	5.7	
Z102342	DLP-1 3/4"-5 UNC	100	103	36	73	216	113	156	110	1 3/4"	11.7	
Z102348	DLP-2"-4.5 UNC	100	103	36	73	216	113	156	110	2"	12.1	

### Extra Long Bolt for DLP\*\*

Art. no.	Bolt	Protrusion L (mm)	Weight (kgs)
Z1022081L	M8 x 1.25	98	0.06
Z1022101L	M10 x 1.5	98	0.08
Z1022121L	M12 x 1.75	78	0.14
Z1022161L	M16 x 2	78	0.20
Z1022201L	M20 x 2.5	84	0.46
Z1022241L	M24 x 3	84	0.50
Z1022301L	M30 x 3.5	295	2.40
Z1022361L	M36 x 4	295	3.00
Z1022421L	M42 x 4.5	283	5.00
Z1022481L	M48 x 5	283	6.00
Z1023081L	UNC 5/16"-18	98	0.06
Z1023101L	UNC 3/8"-16	98	0.07
Z1023121L	UNC 1/2"-13	78	0.16
Z1023161L	UNC 5/8"-11	78	0.20
Z1023201L	UNC 3/4"-10	84	0.44
Z1023211L	UNC 7/8"-9	84	0.50
Z1023241L	UNC 1"-8	84	0.60
Z1023301L	UNC 1 1/4"-7	295	2.50
Z1023361L	UNC 1 1/2"-6	295	3.30
Z1023421L	UNC 1 3/4"-5	283	5.40
Z1023481L	UNC 2"-4.5	283	6.40

### Working Load Limits\* - DLP

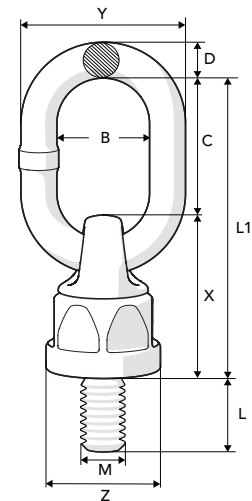
Symmetric Load (tonnes)	1 leg				2 symmetric		3 & 4 symmetric		Tightening torque	Spanner size
	No. of legs	1	2	2 symmetric	3 & 4 symmetric	3 & 4 symmetric	3 & 4 symmetric			
Angle β	0° < β < 90°	0° < β < 90°	0-45°	45-60°	0-45°	45-60°	0-45°	45-60°		
DLP-M8 x 1.25	0.35	0.70	0.5	0.35	0.7	0.5	10 Nm	13 mm		
DLP 5/16"-18 UNC	0.35	0.70	0.5	0.35	0.7	0.5	7 Ft.Lbs	1/2"		
DLP-M10 x 1.5	0.65	1.30	0.9	0.65	1.4	1.0	15 Nm	13 mm		
DLP 3/8"-16 UNC	0.60	1.20	0.8	0.60	1.3	1.0	11 Ft.Lbs	1/2"		
DLP-M12 x 1.75	1.0	2.0	1.4	1.0	2.1	1.5	27 Nm	24 mm		
DLP 1/2"-13 UNC	1.0	2.0	1.4	1.0	2.1	1.5	20 Ft.Lbs	15/16"		
DLP-M16 x 2	1.8	3.6	2.5	1.8	3.7	2.7	60 Nm	24 mm		
DLP 5/8"-11 UNC	1.6	3.2	2.2	1.6	3.3	2.4	44 Ft.Lbs	15/16"		
DLP-M20 x 2.5	2.6	5.2	3.5	2.6	5.4	3.9	90 Nm	32 mm		
DLP-3/4"-10 UNC	2.2	4.4	3.0	2.2	4.6	3.3	66 Ft.Lbs	1 5/16"		
DLP-7/8"-9 UNC	2.6	5.2	3.5	2.6	5.4	3.9	66 Ft.Lbs	1 5/16"		
DLP-M24 x 3	4.1	8.2	5.7	4.1	8.6	6.1	135 Nm	32 mm		
DLP-1"-8 UNC	4.1	8.2	5.7	4.1	8.6	6.1	100 Ft.Lbs	1 5/16"		
DLP-M30 x 3.5	5.0	10.0	7.0	5.0	10.5	7.5	270 Nm	55 mm		
DLP-1 1/4"-7 UNC	5.0	10.0	7.0	5.0	10.5	7.5	200 Ft.Lbs	2 1/4"		
DLP-M36 x 4	7.0	14.0	9.8	7.0	14.7	10.5	320 Nm	55 mm		
DLP-1 1/2"-6 UNC	7.0	14.0	9.8	7.0	14.7	10.5	236 Ft.Lbs	2 1/4"		
DLP-M42 x 4.5	15.0	30.0	21.0	15.0	31.5	22.5	600 Nm	75 mm		
DLP-1 3/4"-5 UNC	15.0	30.0	21.0	15.0	31.5	22.5	440 Ft.Lbs	3"		
DLP-M48 x 5	20.0	40.0	28.0	20.0	42.0	30.0	800 Nm	75 mm		
DLP-2"-4.5 UNC	20.0	40.0	28.0	20.0	42.0	30.0	590 Ft.Lbs	3"		

\*\* When using extra long bolt, make sure to use nut/washer of min. strength rating 10.9, ISO 898-1.

\*Safety factor 1:4

## Ball-bearing Lifting Point BLP

Art. no.	Code	B	C	D	Dimensions in mm						Weight kgs
					L	L1	M	X	Y	Z	
Z102008	BLP-M8 x 1.25	35	55	13	16	112	8	57	61	Ø42	0.6
Z102010	BLP -M10 x 1.5	35	55	13	20	112	10	57	61	Ø42	0.6
Z102012	BLP -M12 x 1.75	35	55	13	24	112	12	57	61	Ø42	0.6
Z102016	BLP-M16 x 2	35	55	13	30	112	16	57	61	Ø42	0.6
Z102020	BLP-M20 x 2.5	34	57	17	30	132	20	75	67	Ø59	1.3
Z102024	BLP-M24 x 3	50	70	17	36	145	24	75	84	Ø59	1.5
Z102030	BLP-M30 x 3.5	54	96	22	45	102	30	106	99	Ø74	3.4
Z102036	BLP-M36 x 4	54	96	22	54	102	36	106	99	Ø74	3.5
Z102042	BLP-M42 x 4.5	70	120	28	63	242	42	122	127	Ø93	6.5
Z102048	BLP-M48 x 5	70	120	28	72	242	48	122	127	Ø93	6.8



## BLP with UNC thread

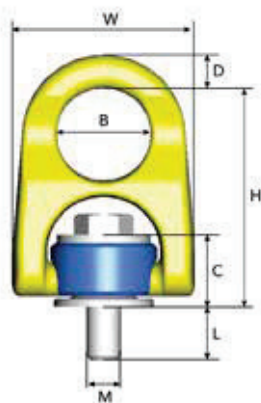
Art. no.	Code	B	C	D	Dimensions in mm						M inch	Weight kgs
					L	L1	X	Y	Z			
Z102108	BLP-5/16"-18 UNC	35	55	13	16	112	57	61	Ø42	5/16"	0.6	
Z102110	BLP-3/8"-16 UNC	35	55	13	20	112	57	61	Ø42	3/8"	0.6	
Z102112	BLP-1/2"-13 UNC	35	55	13	24	112	57	61	Ø42	1/2"	0.6	
Z102116	BLP-5/8"-11 UNC	35	55	13	30	112	57	61	Ø42	5/8"	0.6	
Z102120	BLP-3/4"-10 UNC	34	57	17	30	132	75	67	Ø59	3/4"	1.3	
Z102121	BLP-7/8"-9 UNC	34	57	17	30	132	75	67	Ø59	7/8"	1.3	
Z102124	BLP-1"-8 UNC	50	70	17	38	145	75	84	Ø59	1"	1.5	
Z102130	BLP-1 1/4"-7 UNC	54	96	22	48	202	106	99	Ø74	1 1/4"	3.4	
Z102136	BLP-1 1/2"-6 UNC	54	96	22	57	202	106	99	Ø74	1 1/2"	3.6	
Z102142	BLP-1 3/4"-5 UNC	70	120	28	67	242	122	127	Ø93	1 3/4"	6.6	
Z102148	BLP-2"-4.5 UNC	70	120	28	76	242	122	127	Ø93	2"	7.0	



## Working Load Limits\* - BLP

No. of legs	1		2		2 symmetric		3 & 4 symmetric		Tightening torque	Spanner size	
	Angle $\beta$	0°	90°	0°	0-45°	90°	0-45°	45-60°			
BLP -M8 x 1.25	0.6	0.3	1.2	0.4	0.6	0.4	0.3	0.6	0.45	10 Nm	36 mm
BLP -5/16"-18 UNC	0.6	0.3	1.2	0.4	0.6	0.4	0.3	0.6	0.45	7 Ft.Lbs	1 1/2"
BLP -M10 x 1.5	1.2	0.6	2.4	0.8	1.2	0.8	0.6	1.3	0.90	15 Nm	36 mm
BLP -3/8"-16 UNC	1.0	0.5	2.0	0.7	1.0	0.7	0.5	1.1	0.75	11 Ft.Lbs	1 1/2"
BLP -M12 x 1.75	1.5	0.75	3.0	1.1	1.5	1.1	0.75	1.5	1.1	27 Nm	36 mm
BLP -1/2"-13 UNC	1.5	0.75	3.0	1.1	1.5	1.0	0.75	1.5	1.1	20 Ft.Lbs	1 1/2"
BLP -M16 x 2	3.0	1.5	6.0	2.1	3.0	2.1	1.5	3.1	2.2	60 Nm	36 mm
BLP -5/8"-11 UNC	3.0	1.5	6.0	2.1	3.0	2.1	1.5	3.1	2.2	44 Ft.Lbs	1 1/2"
BLP -M20 x 2.5	5.0	2.5	10.0	3.5	5.0	3.5	2.5	5.2	3.7	90 Nm	50mm
BLP -3/4"-10 UNC	4.5	2.25	9.0	3.1	4.5	3.1	2.25	4.7	3.3	66 Ft.Lbs	2"
BLP -7/8"-9 UNC	6.0	3.0	12.0	4.2	6.0	4.2	3.0	6.3	4.5	66 Ft.Lbs	2"
BLP -M24 x 3	7.0	4.0	14.0	5.6	8.0	5.6	4.0	8.4	6.0	135 Nm	50mm
BLP -1"-8 UNC	7.0	4.0	14.0	5.6	8.0	5.6	4.0	8.4	6.0	100 Ft.Lbs	2"
BLP -M30 x 3.5	12.0	6.0	24.0	8.4	12.0	8.4	6.0	12.6	9.0	270 Nm	65 mm
BLP -1 1/4"-7 UNC	12.0	6.0	24.0	8.4	12.0	8.4	6.0	12.6	9.0	200 Ft.Lbs	2 5/8"
BLP -M36 x 4	14.0	8.0	28.0	11.2	16.0	11.2	8.0	16.8	12.0	320 Nm	65 mm
BLP -1 1/2"-6 UNC	14.0	8.0	28.0	11.2	16.0	11.2	8.0	16.8	12.0	236 Ft.Lbs	2 5/8"
BLP -M42 x 4.5	16.0	10.0	32.0	14.0	20.0	14.0	10.0	21.0	15.0	600 Nm	85 mm
BLP -1 3/4"-5 UNC	16.0	10.0	32.0	14.0	20.0	14.0	10.0	21.0	15.0	440 Ft.Lbs	3 1/8"
BLP -M48 x 5	18.0	13.0	36.0	18.2	26.0	18.2	13.0	27.3	19.5	800 Nm	85 mm
BLP -2"-4.5 UNC	18.0	13.0	36.0	18.2	26.0	18.2	13.0	27.3	19.5	590 Ft.Lbs	3 1/8"

\*Safety factor 4:1



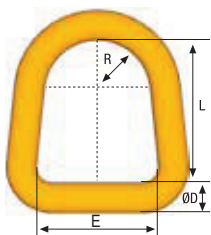
## Rotating Lifting Point ERLP

Slim design to fit in confined spaces.

Note! ERLP will be cancelled from our product range during 2016.

Art. no.	Code	L	M	B	D	C	H	W	Weight (kgs)
Z101260	ERLP-M8-10	15	M8	Ø27	10	20	63	52	0.2
Z101261	ERLP-M10-10	20	M10	Ø27	10	20	63	52	0.2
Z101252	ERLP-M12-10	19	M12	Ø38	15	31	91.8	73	0.8
Z101253	ERLP-M16-10	24	M16	Ø38	15	31	91.8	73	0.8

## Master Link D



Art. no.	Code	WLL tonnes*	E	D	L	R	Weight kgs
Z700877	D-14-8	2.5	55	14	65	24	0.4
Z700878	D-17-8	4	64	17	62	29	0.5
Z700880	D-22-8	8	76	22	90	33	1

The load bearing width must be at least 0.5 x E

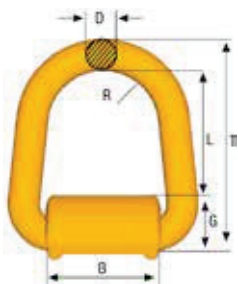
## Eye Lifting Point ELP



Art. no.	Code	WLL tonnes*	B	D	G	H	L	M	Weight kgs
Z100434	ELP-16-8	1**	72	16	42	55	24	M16	0.4
Z100435	ELP-20-8	1.5**	72	16	42	58	30	M20	0.4
Z100436	ELP-24-8	2**	88	19	48	69	36	M24	0.9
Z100437	ELP-30-8	3**	106	22	60	84	45	M30	1.4

\*\* In case of 1-leg application where loading is limited to straight loading in the direction of thread (no bending force) it is possible to use ELP with four times higher WLL. Note! Threaded depths need to be at least 1xM for steel, 1,25xM for cast iron and 2xM for aluminium alloy.

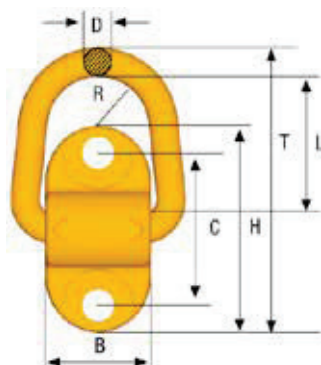
## Weldable Lifting Point WLP



Art. no.	Code	WLL tonnes*	B	D	G	L	R	T	Weight kgs
Z700900	WLP-1T	1	50	14	27	53	24	95	0.5
Z700901	WLP-3T	3	58	17	34	48	29	97	0.8
Z700902	WLP-5T	5	64	22	41	73	33	135	1.8

Supplied with spring for stay up function

## Screw-on Lifting Point SLP

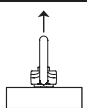
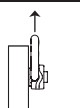
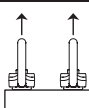
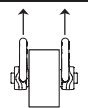
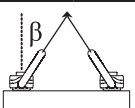
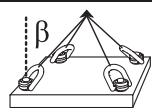


Art. no.	Code	WLL tonnes*	B	C	D	H	L	M	T	R	Weight kgs
Z700988	SLP-1T	1	50	72	14	98	55	M14	139	24	0.8
Z700987	SLP-3T	3	58	84	17	114	50	M16	144	29	1.3
Z700986	SLP-5T	5	64	116	22	160	74	M20	203	33	2.6

Supplied with spring for stay up function



## Working Load Limits (tonnes) for ERLP


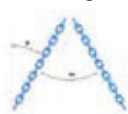
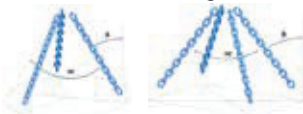
								
No. of legs	1	1	2	2	2 symmetric		3 & 4 symmetric	
$\beta$	0°	90°	0°	90°	0-45°	45-60°	0-45°	45-60°
Load factor		1		2	1.4	1	2.1	1.5
M8-10	0.60	0.30	1.20	0.60	0.42	0.30	0.63	0.45
M10-10	1.00	0.50	2.00	1.00	0.70	0.50	1.05	0.75
M12-10	1.50	0.75	3.00	1.50	1.00	0.75	1.60	1.13
M16-10	3.00	1.50	6.00	3.00	2.10	1.50	3.15	2.25

In case of asymmetric loading we recommend following loading:

- 2-leg as corresponding 1-leg
- 3- or 4-leg as corresponding 2-leg

3

## Working Load Limits (tonnes) for ELP / WLP / SLP

					
Typ	WLL tonnes*	$\alpha$ 0-90° $\beta$ 0-45°	$\alpha$ 90-120° $\beta$ 45-60°	$\alpha$ 0-90° $\beta$ 0-45°	$\alpha$ 90-120° $\beta$ 45-60°
ELP-16-8	1**	1.4	1	2.1	1.5
ELP-20-8	1,5**	2.1	1.5	3.2	2.3
ELP-24-8	2**	2.8	2	4.2	3
ELP-30-8	3**	4.2	3	6.3	4.5
WLP-1T	1	1.4	1	2.1	1.5
WLP-3T	3	4.2	3	6.3	4.5
WLP-5T	5	7	5	10.5	7.5
SLP-1T	1	1.4	1	2.1	1.5
SLP-3T	3	4.2	3	6.3	4.5
SLP-5T	5	7	5	10.5	7.5

\*\*Note! The above loads apply to normal usage and equally loaded legs. For asymmetric loaded chain slings, the following is recommended:

- A two-legged system is rated as a single-legged system.
- A three- or four-legged system is rated as a two-legged system.